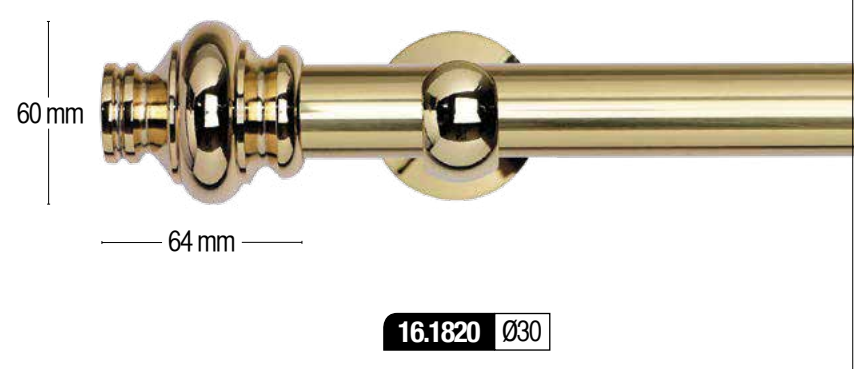
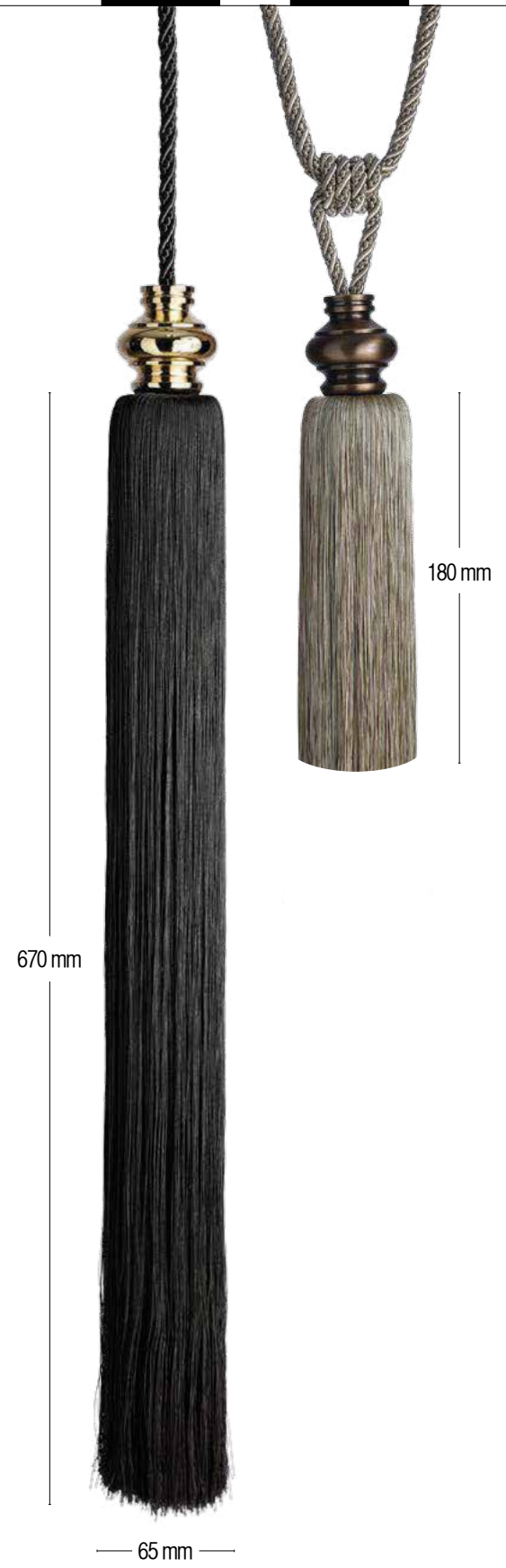




16.1821 16.1822







16.1110 Ø30



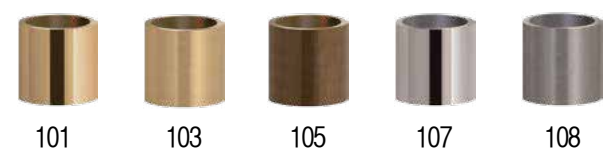
16.1115

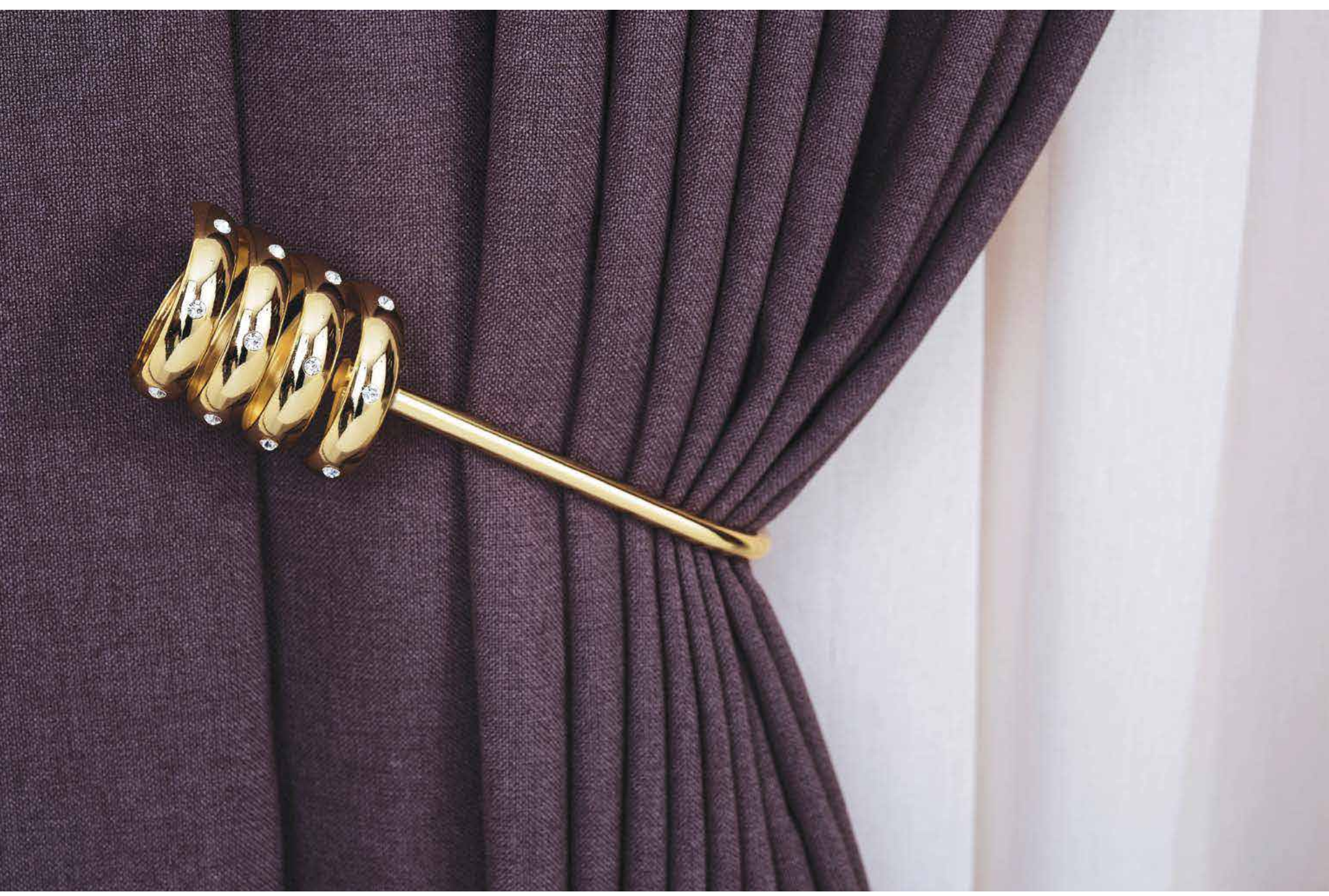


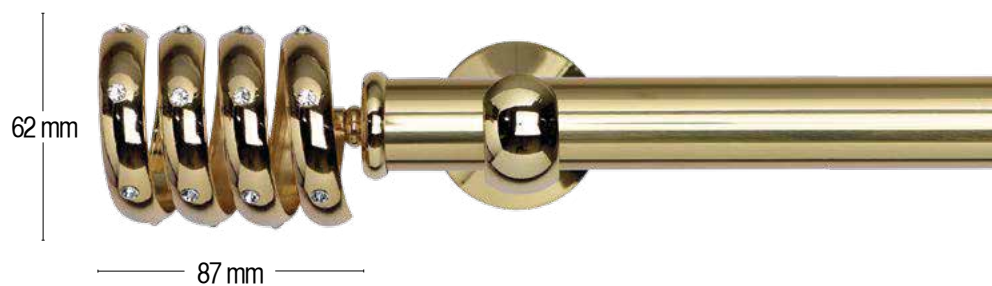
16.1118



16.1117







16.1040 Ø30



16.1045



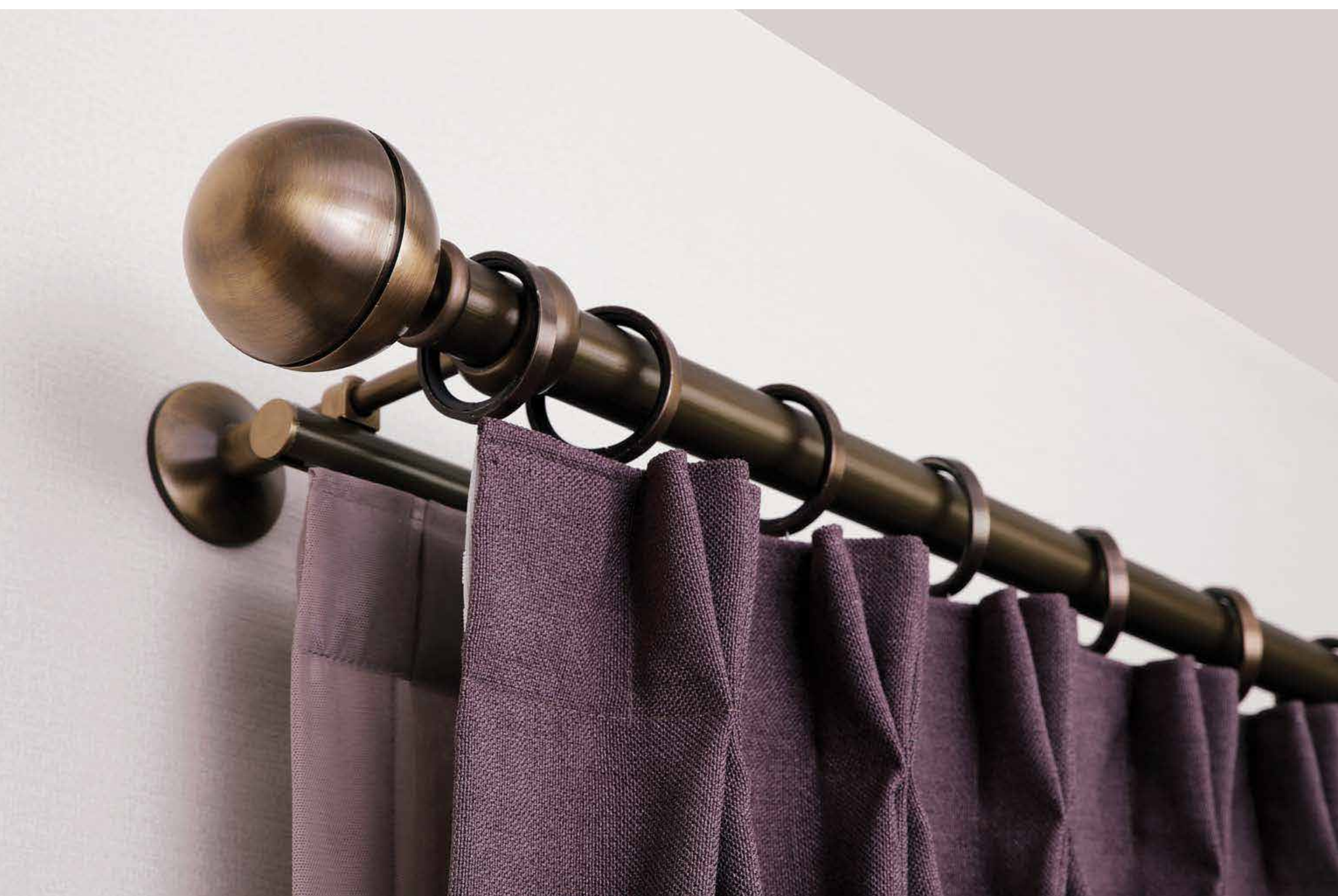
16.1047



101

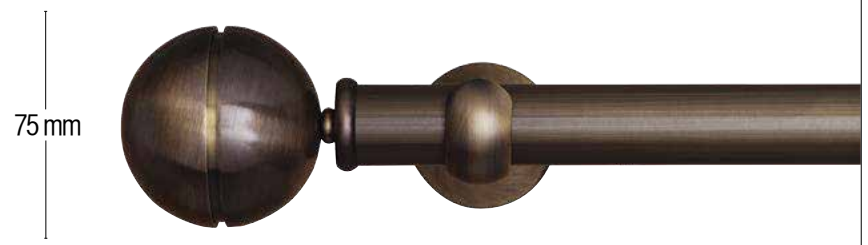
105

107



16.1831

16.1832



16.1830 Ø30



16.1835



16.1838



16.1837

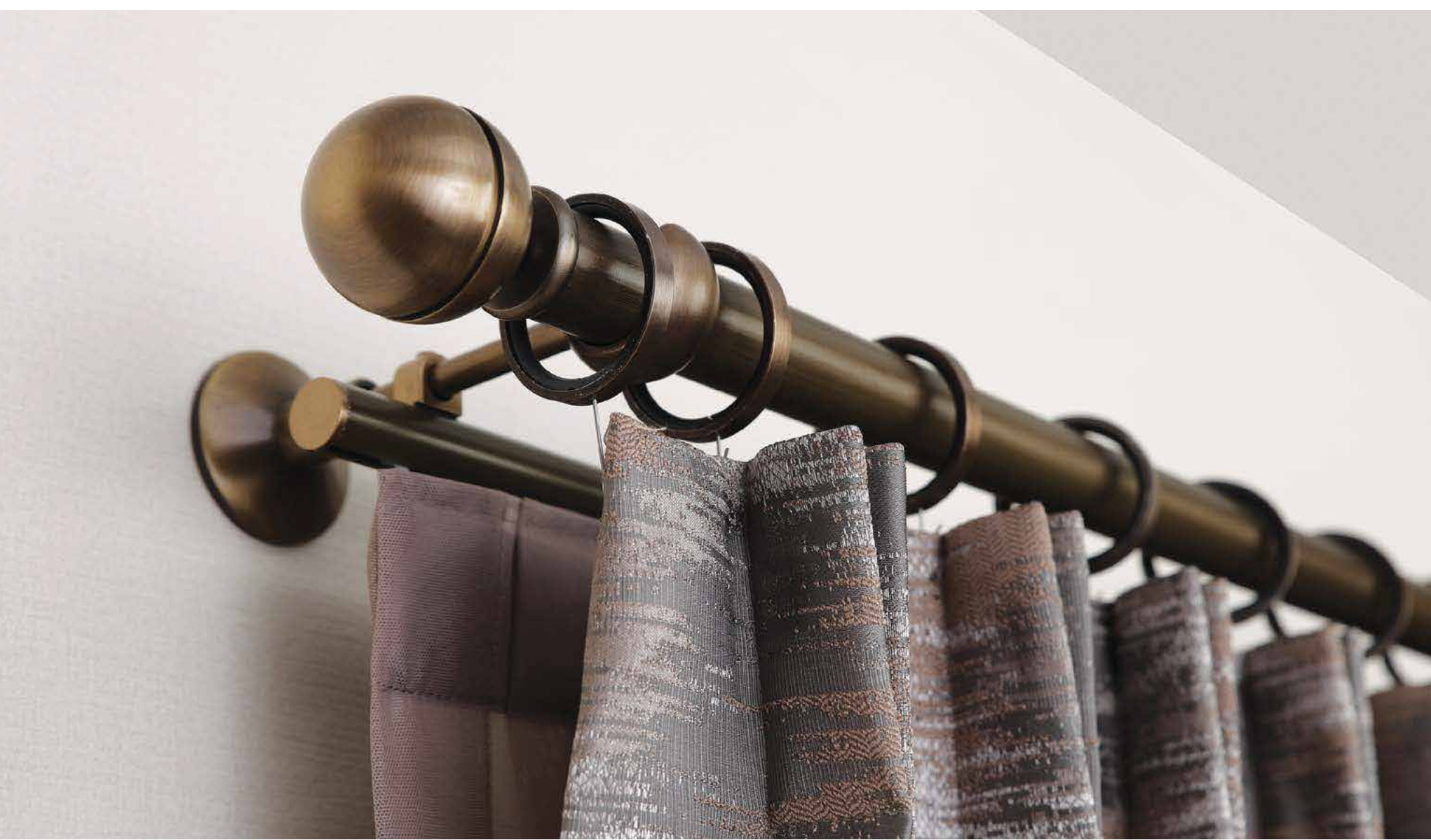


101 103 105 107 108



501 502 503 504 505 506 507 508 509 510 511 512 513 514 515 516 517 518 519 520 521 522 523 524





16.1121

16.1122



16.1120 Ø30



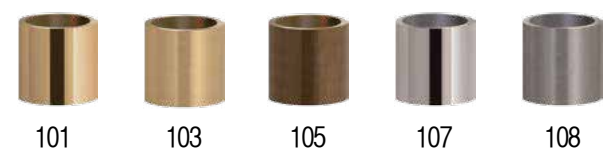
16.1125

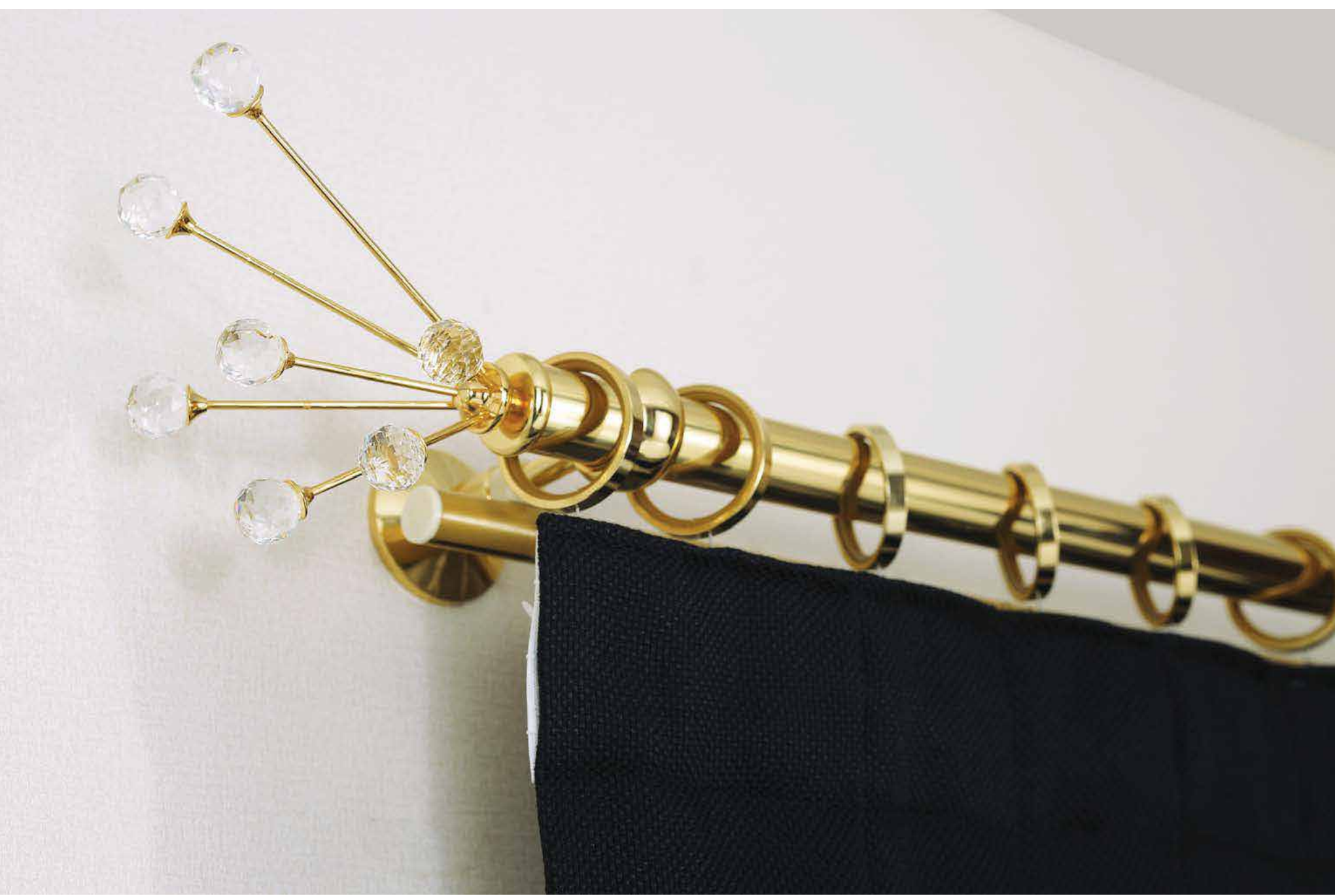


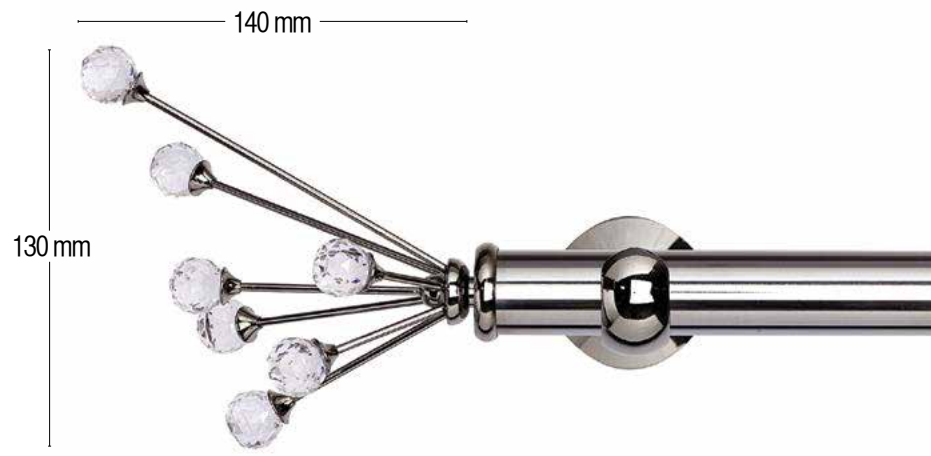
16.1128



16.1127







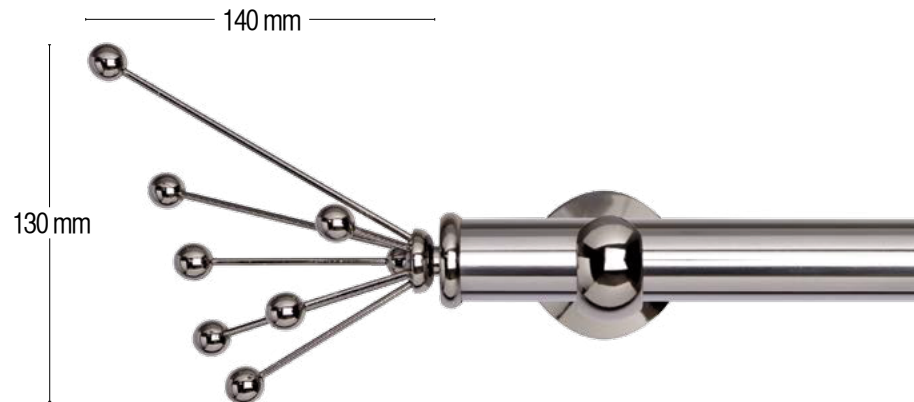
16.1260 Ø30



16.1265



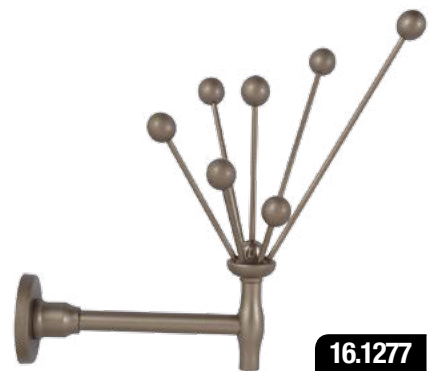
16.1267



16.1270 Ø30



16.1275



16.1277



101

105

107

108







